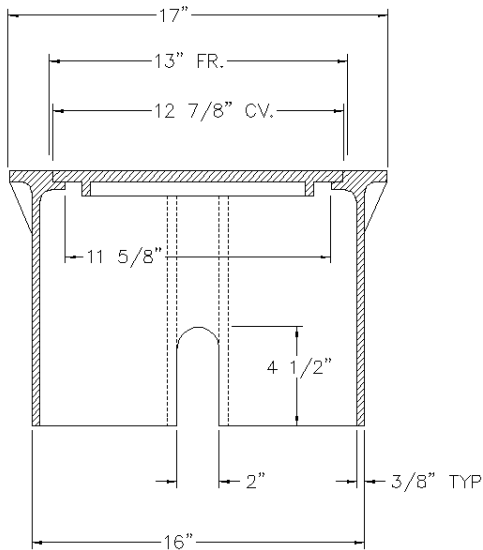
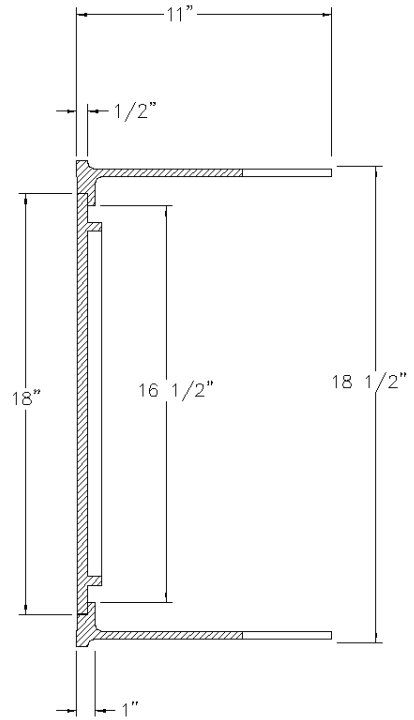
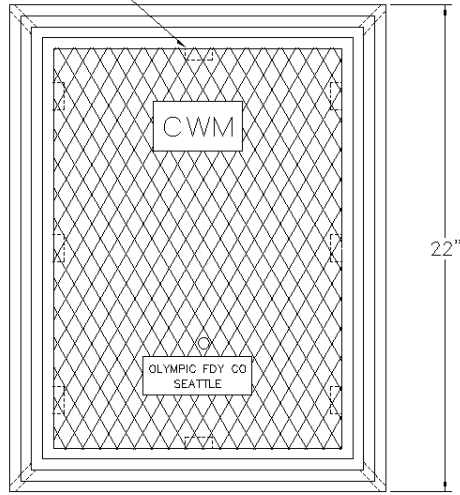


1 1/4" x 1/2" x 1/8" LEVELING PADS  
ON BOTTOM OF LID (8 PL)



NOTES:

## OLYMPIC FOUNDRY INC.

17" X 22" X 11" METER BOX FRAME & COVER

MATL: Ductile Iron ASTM A536, CL 80-55-06

RATING: H-20

PART NO. SM29

APPROX WT: Frame 100 Lbs, Cover 19 Lbs

REV: A DATE: 6/23/2003 New border

REV  
A

DOCUMENT APPROVED  
BY: DATE:

DWN: CL DATE: 6/23/2003

CHKD: CL DATE: 6/23/2003

TOLERANCE  
XX +/- .1  
XXX +/- .06  
XXXX +/- .030  
<+ 2 DEG

REV: DATE:

DWG #: SM29

SCALE: N/A

SHEET: 1 OF 1