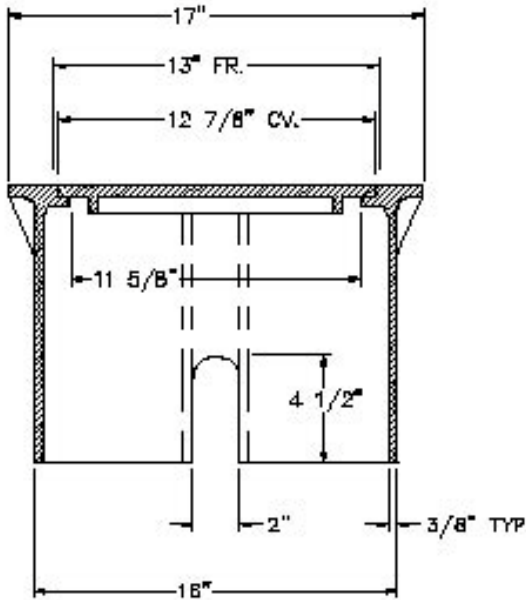
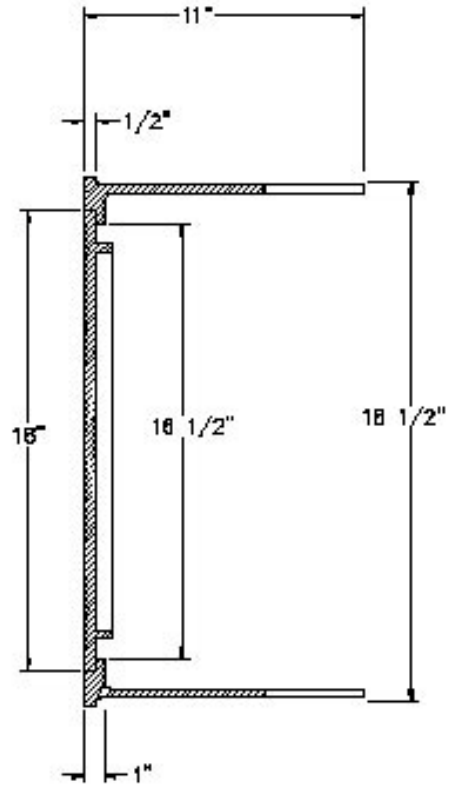
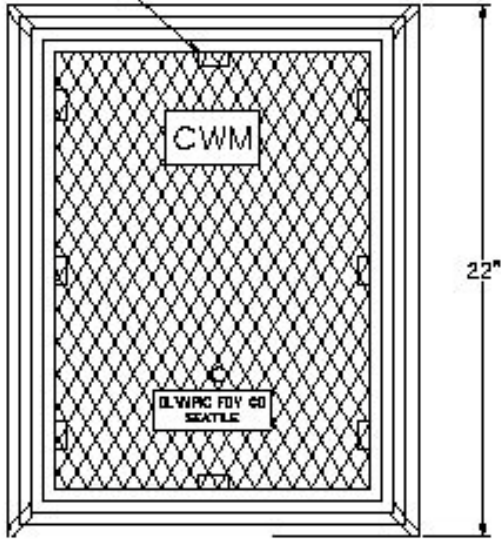


1 1/4" x 1/2" x 1/8" LEVELING PADS
ON BOTTOM OF LID (8 PL)



NOTES:

OLYMPIC FOUNDRY INC.

SM29 Meter Box

MATL: Ductile Iron ASTM A536, CL80-55-06

RATING: H-20

PART NO. SM29

APPROX WT: 119 Lbs.

REV: A DATE: 6/23/2003

REV
A

DOCUMENT APPROVED
BY: DATE:

DWN: CL DATE: 6/23/2003

CHKD: FS DATE: 6/23/2003

TOLERANCE
XX +.1
XXX +.06
XXXX +.030
< +- 2 DEG

REV: DATE:

DWG #: SM29

SCALE: N/A

SHEET: 1 OF 1