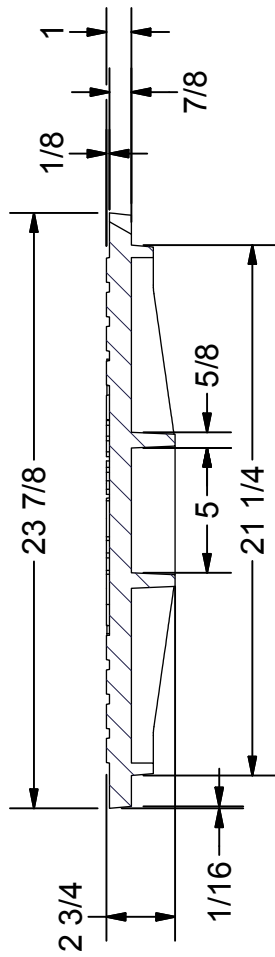
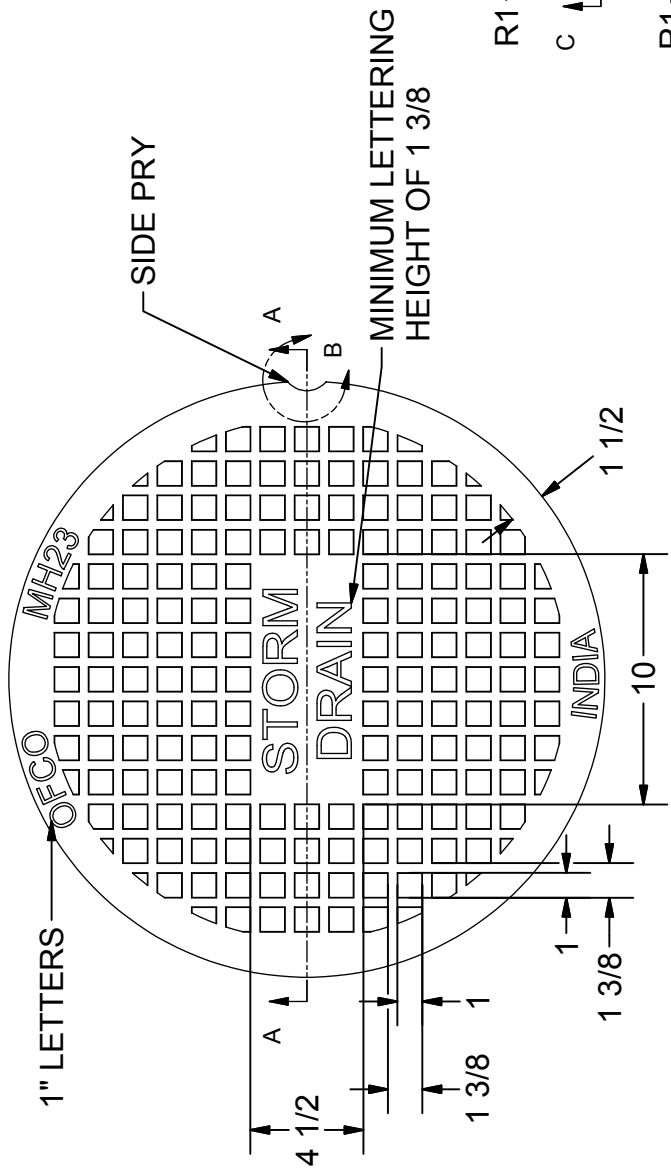
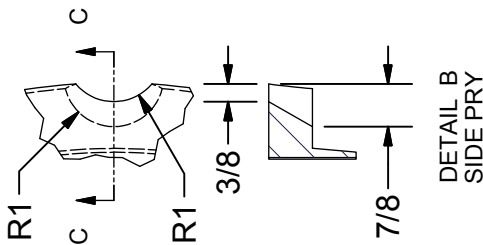


BACK



SECTION A-A



**OLYMPIC FOUNDRY INC.**

TITLE MH23 SIDE PRY STORM DRAIN COVER

RATING: H-20 PART NO. 11-2524

REV: B 8/19/13 TOTAL HEIGHT WITH TOP DESIGN TO BE 1"

REV: B

DWG NO: 11-2524 MH23 SIDE PRY STORM DRAIN SCALE: N/A SH 1 OF 1

PARTS LIST

RING:  
COVER:  
SET:

MATL: CAST IRON ASTM A48, CL30  
APX WT. 102 LBS.

TOLERANCES:  
X.X = ± .1 X.XXX = ± .03  
X.XX = ± .06 FRAC = ± 1/16 = ± .2

NOTES:  
1. ALL BEARING SURFACES TO BE MACHINED  
2. STANDARD BLACK DIP

DOC APPVD DWN: CM 08/19/2013  
BY: DATE: CHKD: