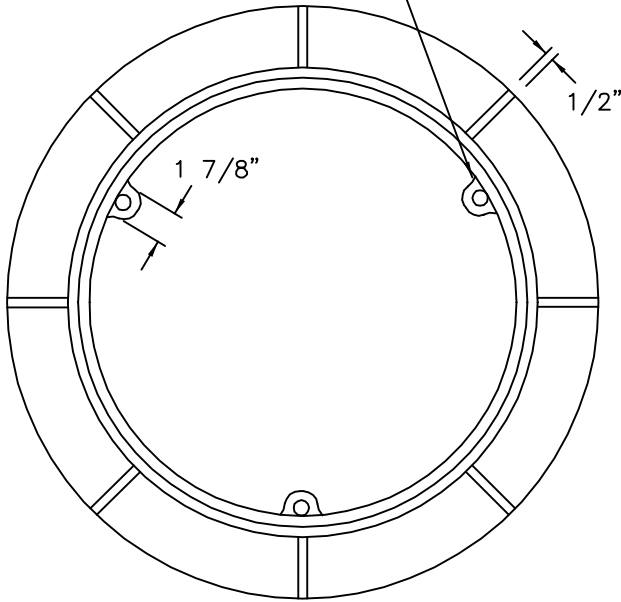


WATER AND SEWER COVERS HAVE 1 - 1" LIFT HOLE,  
DRAIN COVERS HAVE 3 - 1" LIFT HOLES

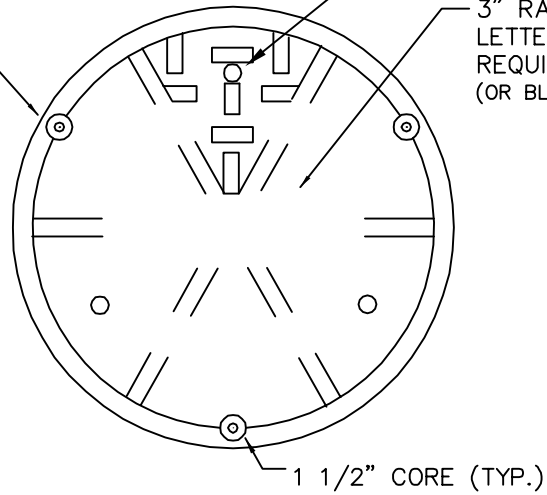
FOR 5/8" - 11 NC x 1 1/4"  
SS SOC HD CAP SCREW (3 REQ'D)

DRILL & TAP: 5/8" - 11 N.C.  
120 DEGREES (TYP. 3PL.)

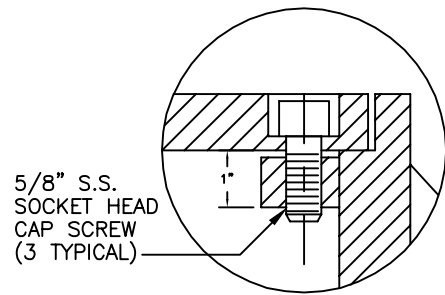
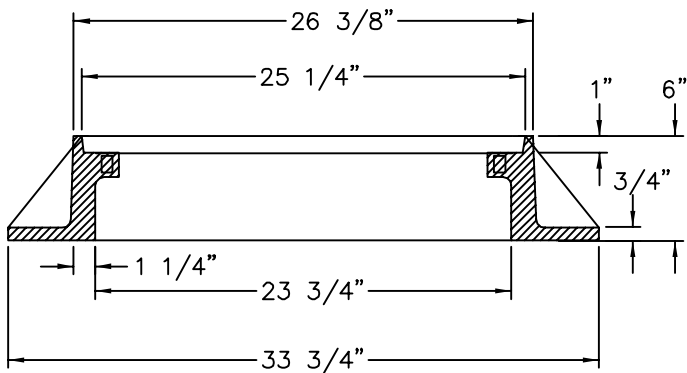
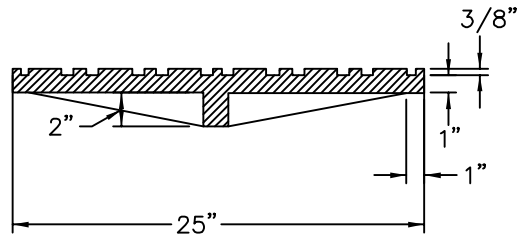
3" RAISED  
LETTERS AS  
REQUIRED  
(OR BLANK)



FRAME



COVER



LOCKING BOLT - DETAIL

NOTES:

- \*NON-SKID PATTERN (TYP)
- \*APWA STANDARD PLAN #42

**OLYMPIC FOUNDRY INC.**

24" X 6" LOCKING MANHOLE RING  
& COVER

MATL: CAST IRON ASTM A48, CL30

RATING: H-20 | PART NO. MH30AD/T

APPROX WT: RING-210 LBS, COVER-150 LBS.

REV: A DATE: 6/23/03 NEW BORDER

DOCUMENT APPROVED  
BY: DATE:

DWN: CL DATE: 06/23/03

CHKD: CL DATE: 06/23/03

TOLERANCE  
XX ± .1  
XXX ± .06  
XXXX ± .030  
< ± 2 DEG

REV: X DATE: XX/XX/XX DSC:

DWG #: MH30A DT BLANK

SCALE: N/A

SHEET: 1 OF 1

REV  
A