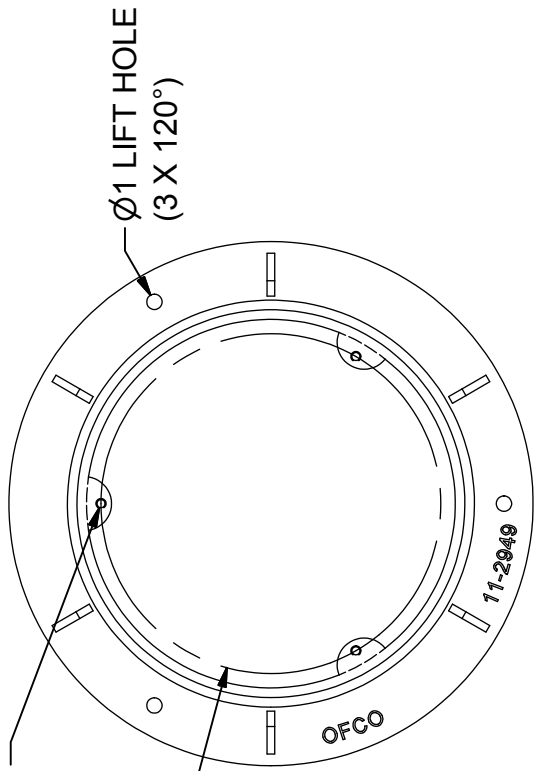
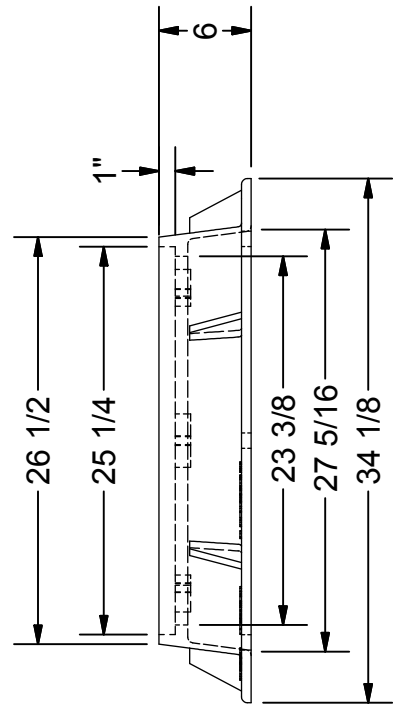




5/8-11 UNC - 1B  
(3 @ 120°)



Ø22 1/8  
BOLT CIRCLE



NOTES:  
1. PAINT STANDARD BLACK

PARTS LIST

**OL YMPIC FOUNDRY INC.**

TITLE MH30L 24 X 6 RING DT

RATING: H-20 PART NO. 11-2949

REV: B 2/02/09 CHANGED MATERIAL FROM DI TO CI REV B

REV: B

DWG NO: MH30L DT RING CAT SCALE: N/A SH 1 OF 1

MATL: CAST IRON ASTM A48 CL35B  
APX WT. 134 LBS.

TOLERANCES:  
BUILT TO AASHTO TOLERANCES. UNITS ARE IN INCHES UNLESS OTHERWISE SPECIFIED

DOC APPVD BY: DATE: DWN: CM 07/27/2006 CHKD: