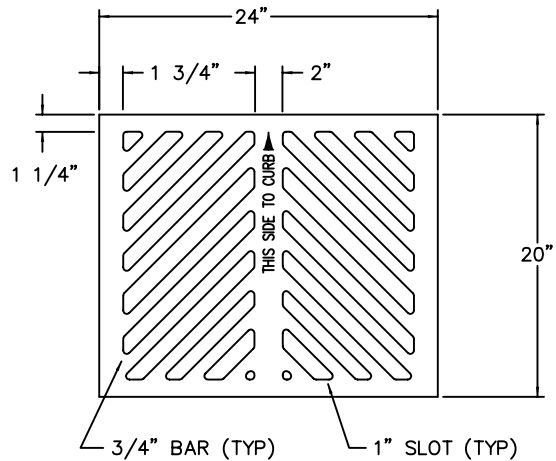
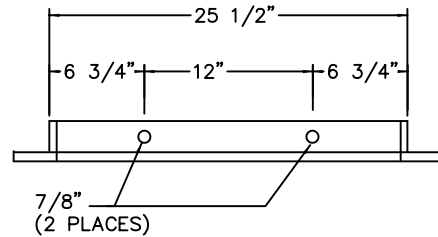
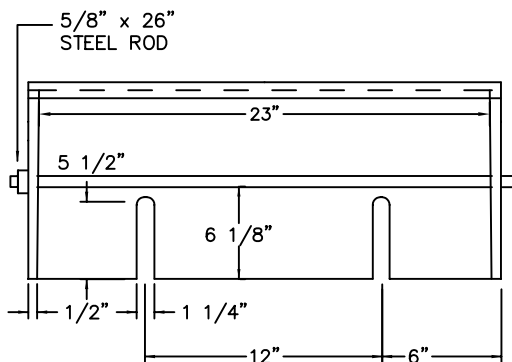


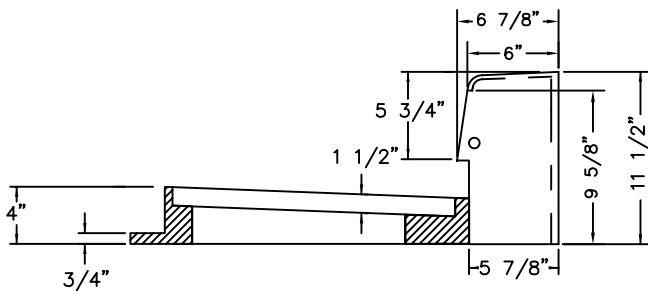
FRAME (TOP VIEW)



GRATE (SIDE VIEW)



HOOD



GRATE (SIDE VIEW)

HOOD (SIDE VIEW)

12-4568NSET

NOTES:

- \*ACCEPTS GG-01 GRATE GUARD
- \*VANED GRATE ALSO AVAILABLE, USE SM60VG
- \*WSDOT STD. B25.20-00

**OLYMPIC FOUNDRY INC.**

CATCH BASIN FRAME, GRATE, & HOOD

MATL: FRAME & HOOD; CAST IRON ASTM A48 CL30, GRATE; DUCTILE IRON ASTM A536 CL80-55-06

RATING: H-20 | PART NO. SM65

APPROX WT: FRAME-180 LBS, GRATE-110 LBS, HOOD-55 LBS.

REV: A DATE: 7/18/03 NEW BORDER

DOCUMENT APPROVED BY: DATE:

DWN: CL DATE: 07/18/03

CHKD: CL DATE: 07/18/03

TOLERANCE  
 XX ± .1  
 XXX ± .06  
 XXXX ± .030  
 < ± .2 DEG

REV: B DATE: 2/09/10 ADDED HOOD DIMS

DWG #: SM65

SCALE: N/A

SHEET: 1 OF 1

REV B