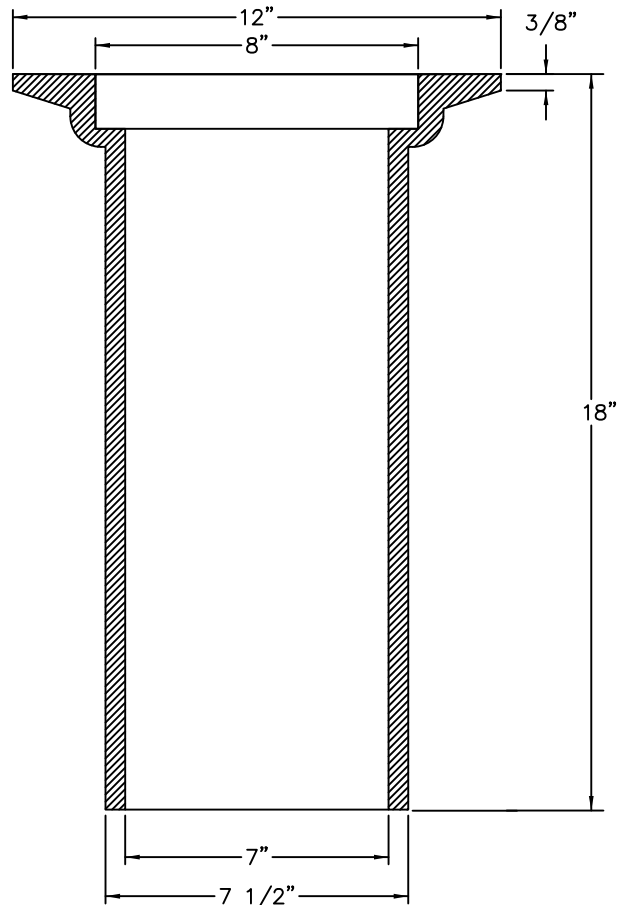
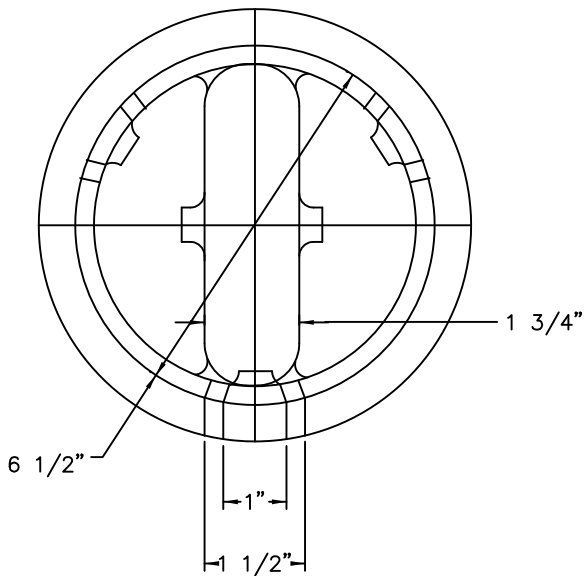
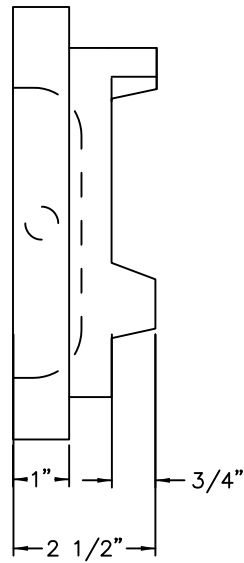


LIFT POCKET 1" WIDE x 1 1/4" DEEP



NOTES:

OLYMPIC FOUNDRY INC.

910 18" FLANGE UP VALVE BOX & "W" COVER

MATL: FRAME; CAST IRON ASTM A48, CL30

RATING: H-20

PART NO.13-5050NSETLT

APPROX WT: VALVE BOX-42 LBS., COVER-14 LBS.

REV: A DATE: 03/13/03 PUT DRAWING ON NEW TEMPLATE

REV
A

DOCUMENT APPROVED
BY: DATE:

DWN: CL DATE: 03/13/03

TOLERANCE
XX ± .1
XXX ± .06
XXXX ± .030
< ± .2 DEG

REV: X DATE: XX/XX/XX DSC:

DWG #: 910

SCALE: N/A

SHEET: 1 OF 1