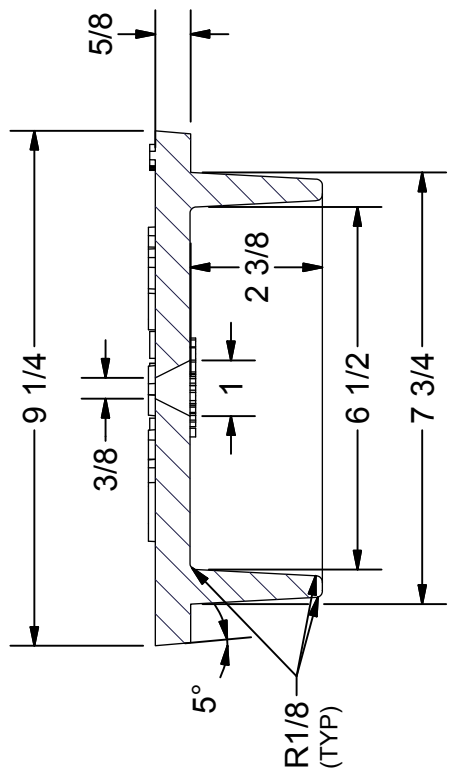


SECTION OF LETTER



SECTION G-G

NOTES:
 1. MACHINE COVER TO AVOID ROCKING IN ANY POSITION
 2. STANDARD BLACK BITUMINOUS COATING

PARTS LIST
 RING: 14-6170
 COVER: 14-6190
 SET: 14-6190NSET

MATL: CI ASTM A48 CL35B
 APX WT. 17 LBS.

TOLERANCES:
 XX ± .1 X.XXX ± .03
 XXX ± .06 FRAC ± 1/16

DOC APPVD DWN: CM 02/10/2011
 BY: DATE: CHKD:

OLYMPIC FOUNDRY INC.

TITLE M1015 "CITY OF BURIEZ" MONUMENT COVER

RATING: H-20 PART NO. 14-6190

REV: A

REV: A 3/24/16 CHANGED MATL FROM CL30 TO CL35B

DWG NO: 14-6190 M1015 LID BURIEZ CAT SCALE: N/A SH 1 OF 1