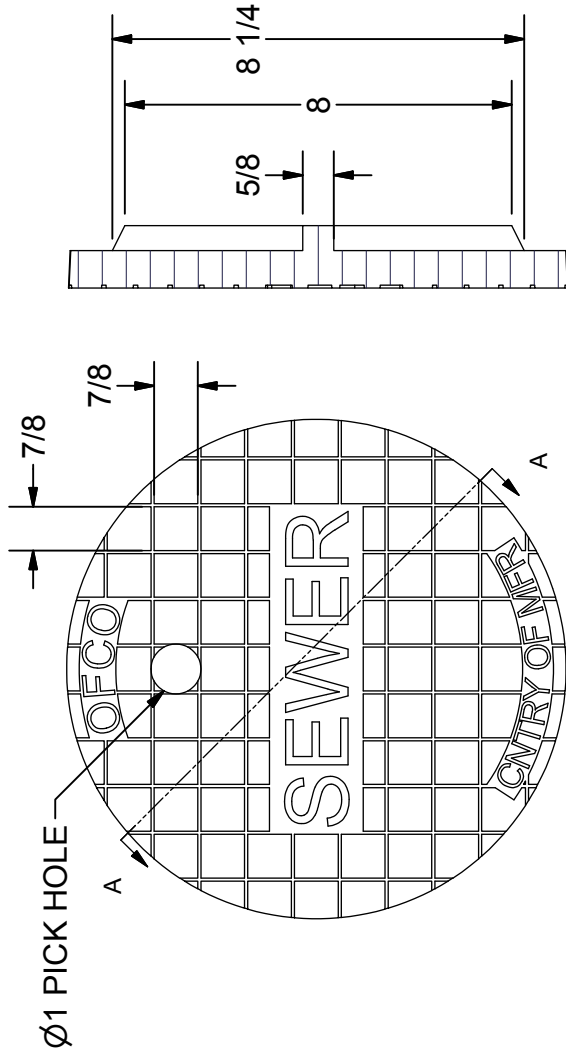
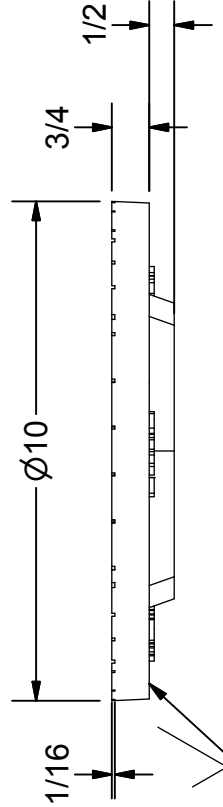


BACK



SECTION A-A



OLYMPIC FOUNDRY INC.



TITLE M1018 1 HOLE SEWER COVER

RATING: H-20 PART NO. 14-6214

REV A

REV: A CREATED DRAWING

DWG NO: 14-6214 M1018 COVER SEWER SCALE: N/A SH 1 OF 1

PARTS LIST

RING:
COVER:
SET:

MATL: CAST IRON ASTM A48, CL30
APX WT. 16 LBS.

TOLERANCES:
X.X = ± .1 X.XXX = ± .03
X.XX = ± .06 FRAC = ± 1/16 = ± .2

NOTES:
1. MACHINE MATING SURFACES
2. STANDARD BLACK PAINT

DOC APPVD DWN: CM 07/16/2015
BY: DATE: CHKD: