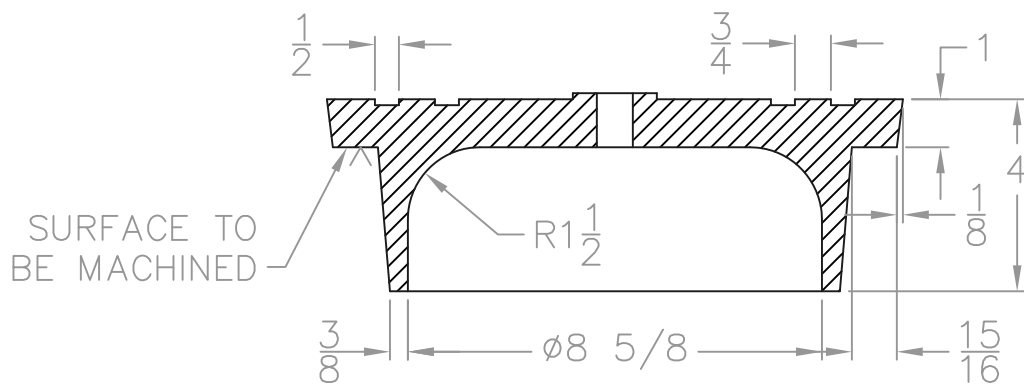


TOP VIEW



SECTION A-A

- NOTES:
- HIDDEN LINES OMITTED FOR CLARITY.
  - BOTTOM SIDE TO HAVE: M-1020, P/N & POUR DATE.
  - SET CONTAINS: M1020 MON LID WATER (P/N 14-6230) & M1020 MON BODY 10X8 (P/N 14-6225).

MATL: CAST IRON ASTM A48, CL30 APPRXP. WT.: 44 LBS.

TOLERANCES:  $\pm 1/8$   
ANGLES  $\pm 2^\circ$

DOCUMENT APPROVED BY: DWN: EB DATE: 01/02/07

CHKD: CM DATE: 01/15/07

OLYMPIC FOUNDRY, INC.

TITLE M1020 MON LID WATER

RATING: H-20 PART NO. 14-6230

REV: B - DATE: 01/02/07 NEW DRAWING

REV: A - DATE: 07/16/03 NEW BORDER

REV B

DWG #: 14-6230 M1020 WATER

SCALE: 1:4

SHEET: 1 OF 1