

SECTION A-A



Olympic Foundry Inc.  
Seattle, WA  
MADE IN THE USA

THE INFORMATION CONTAINED IN THIS DRAWING IS THE SOLE PROPERTY OF OLYMPIC FOUNDRY. ANY REPRODUCTION IN PART OR AS WHOLE WITHOUT THE WRITTEN PERMISSION OF OLYMPIC FOUNDRY IS PROHIBITED.

PART NUMBER

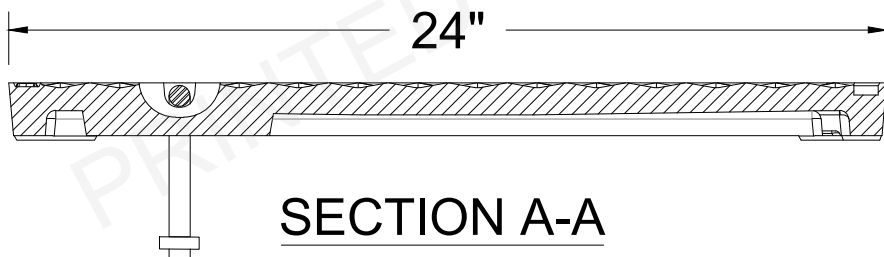
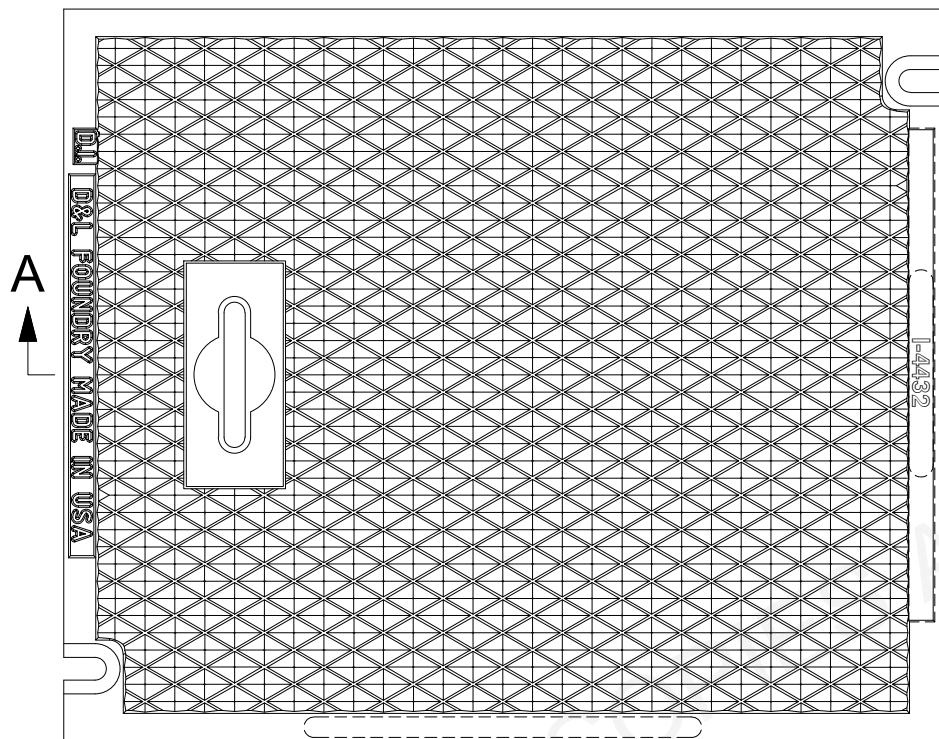
I-4432-R2

DATE	DESCRIPTION	DRAWN	APPROVED
08/21/14	NEW	SPL	
06/01/15	REVISED TITLE BLOCK, ADDED AASHTO MARKINGS	C.H.	M.C.

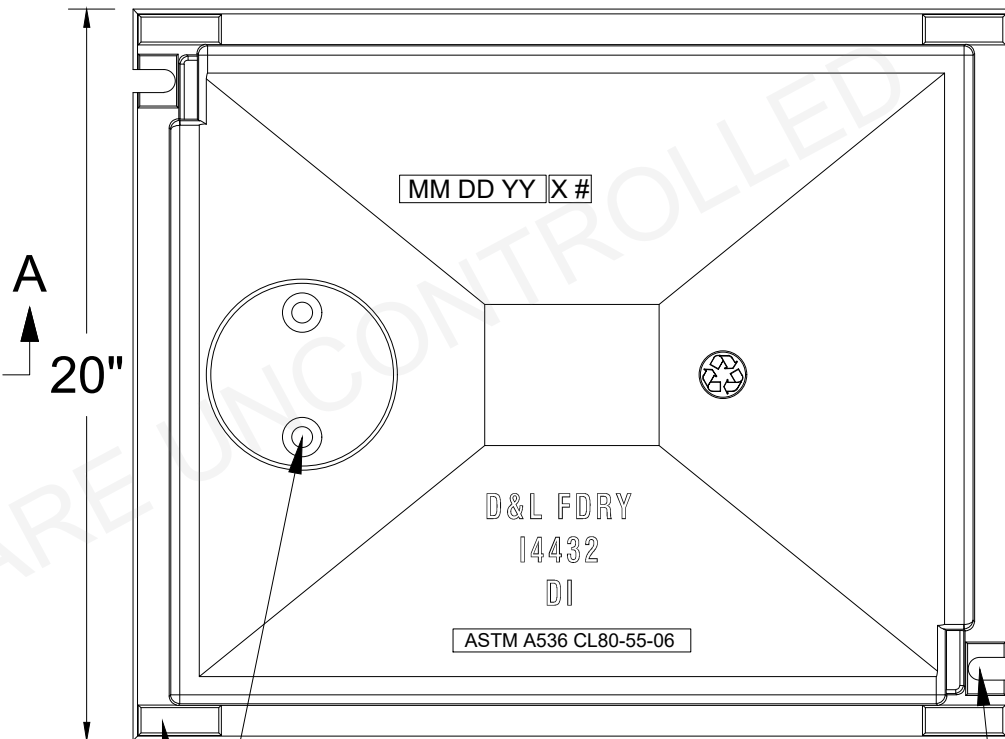
GRAY IRON  
CONFORMS TO  
ASTM A48 CL35B  
LOAD RATING: 160,000 LBS  
ALL TOLERANCES ARE +/- 1/8" PER FOOT  
UNLESS OTHERWISE SPECIFIED

REFERENCE INFORMATION	
CATALOG NUMBERS	
COVER	RING
COPE: - XXXX	COPE: - 8711
DRAG: - XXXX	DRAG: - 8710
DESIGNATES MACHINED SURFACE	

DESIGN REVIEW		/	/
SALES			N/A
PATTERN			N/A
PROD.			N/A
POST.			N/A
OTHER			N/A



**SECTION A-A**



- (1) DROP LIFT HANDLE
- (4) LEVELING PADS
- (2)  $\frac{5}{8}$ " X 2" STAINLESS STEEL SOCKET HEAD BOLTS (SLOTTED)



**D&L Foundry, Inc.**  
**"The Iron Men"**  
 MADE IN THE USA

THE INFORMATION CONTAINED IN THIS DRAWING IS THE SOLE PROPERTY OF D&L FOUNDRY. ANY REPRODUCTION IN PART OR AS A WHOLE WITHOUT THE WRITTEN PERMISSION OF D&L FOUNDRY IS PROHIBITED

**PART NUMBER**

**I-4432-08**

DATE	DESCRIPTION	DRAWN	APPROVED
06/02/20	DRAWING REQUEST - DRAWING FOR AN EXISTING PART	R.G.	D.C.
1/9/23	UPDATE DRAG TO HAVE ONLY 4 LEVELING PADS TO MATCH THE PATTERN	DF	D.C.

DUCTILE IRON CONFORMS TO ASTM A536 CL80-55-06
ALL TOLERANCES ARE $\pm \frac{1}{16}$ " PER FOOT, MEASUREMENTS LESS THAN ONE FOOT ARE $\pm \frac{1}{32}$ " UNLESS OTHERWISE SPECIFIED

REFERENCE INFORMATION	
TOOLING NUMBERS	
TOOLS	PATTERN LOCATION
COPE: - 3085	COPE: - 3085
DRAG: - 3087	DRAG: - 3087
DESIGNATES MACHINED SURFACE	