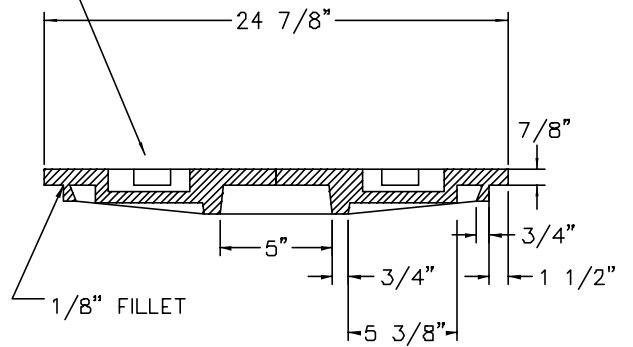
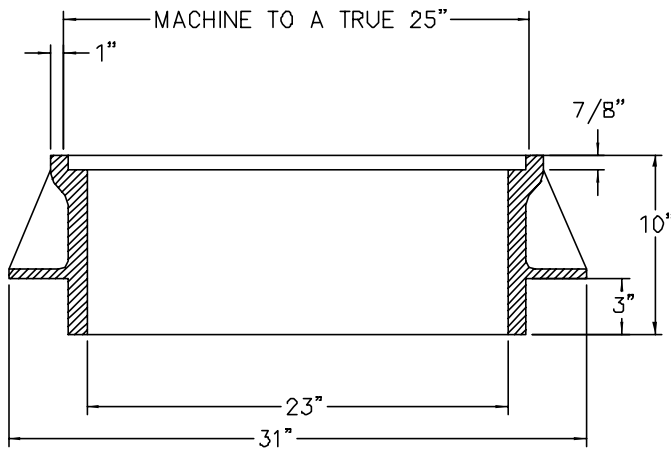
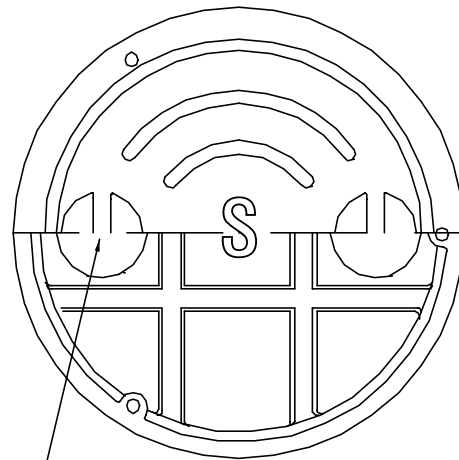
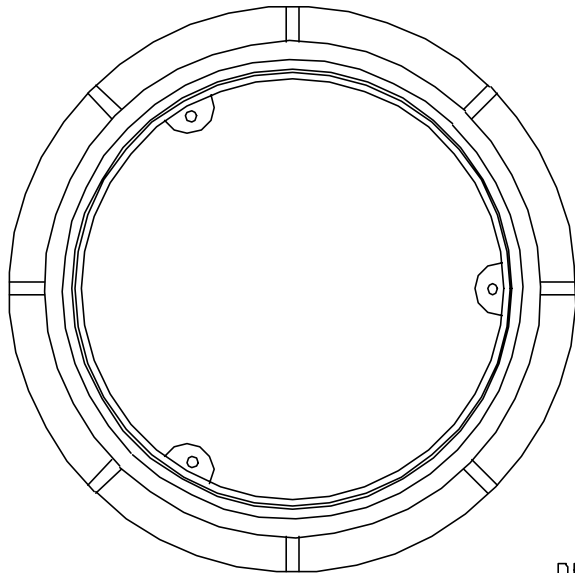


BOLT DOWN DETAIL



NOTES:

**OLYMPIC FOUNDRY INC.**

23" X 10" STANDARD WATERTIGHT  
MANHOLE RING & "S" COVER

MATL: CAST IRON ASTM A48, CL30

RATING: H-20 | PART NO. MH26AW/T

APPROX WT: RING-237 LBS, COVER-150 LBS.

REV: A DATE: 9/10/03 NEW BORDER

DOCUMENT APPROVED  
BY: DATE:

DWN: CL DATE: 09/10/03

TOLERANCE  
XX ± .1  
XXX ± .06  
XXXX ± .03D  
< ± .2 DEG

REV: X DATE: XX/XX/XX DSC:

REV  
A

CHKD: CL DATE: 09/10/03

DWG #: MH26A 10 WT

SCALE: N/A

SHEET: 1 OF 1