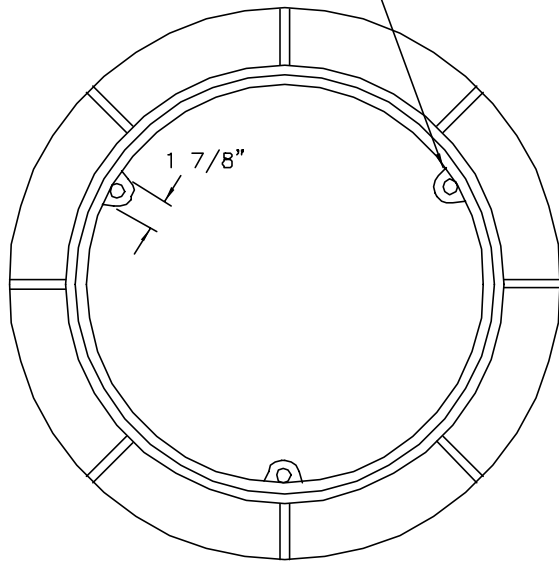
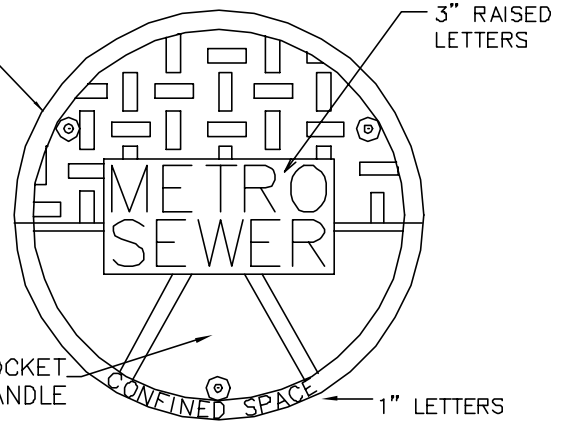


FDR 5/8" - 11 N.C. x 1 1/4"
S.S. SOC. HEAD CAP SCREW
(3 REQ'D.)

DRILL & TAP: 5/8" --- N.C.
ON 120 DEGREES
(TYP. 3PL.)

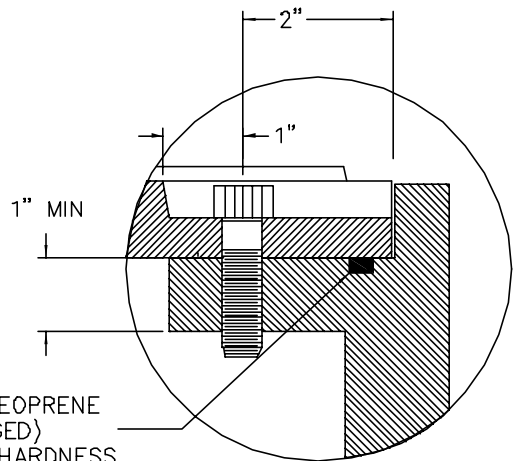
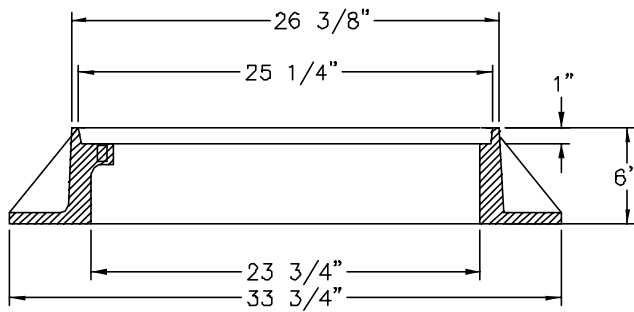
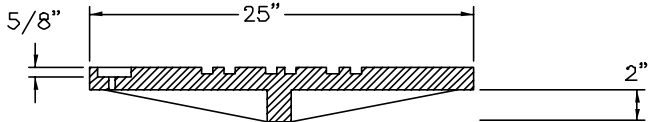


FRAME



(TOP/BOTTOM VIEW)
COVER

SOLID POCKET HANDLE
"CONFINED SPACE"
1" LETTERS



3/8" x 5/16" NEOPRENE
GASKET (RECESSED)
60 DUROMETER HARDNESS

NOTES:

OLYMPIC FOUNDRY INC.

24" X 6" LOCKING WATERTIGHT
METRO SEWER RING & COVER

MATL: CAST IRON ASTM A48, CL30

RATING: H-20 | PART NO. MH30A MS

APPROX WT: RING-210 LBS, COVER-150 LBS.

REV: A DATE: 10/05/04 NEW BORDER

DOCUMENT APPROVED
BY: DATE:

DWN: CL DATE: 08/25/00

TOLERANCE
XX ± .1
XXX ± .06
XXXX ± .03D
< ± .2 DEG

REV: X DATE: XX/XX/XX DSC:

REV
A

CHKD: CL DATE: 10/05/04

DWG #: MH30A METRO SEWER WT CAT | SCALE: N/A | SHEET: 1 OF 1