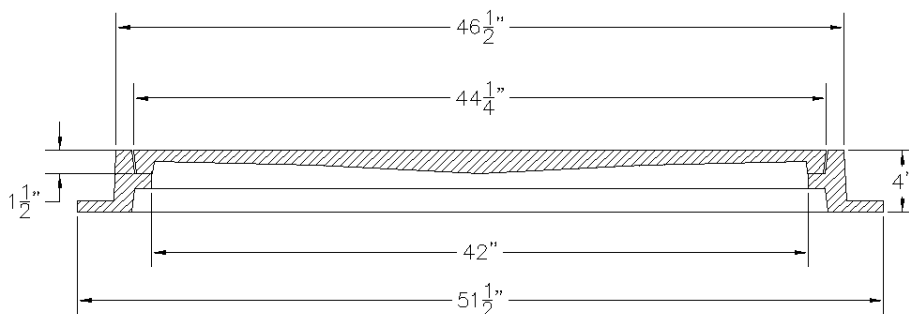
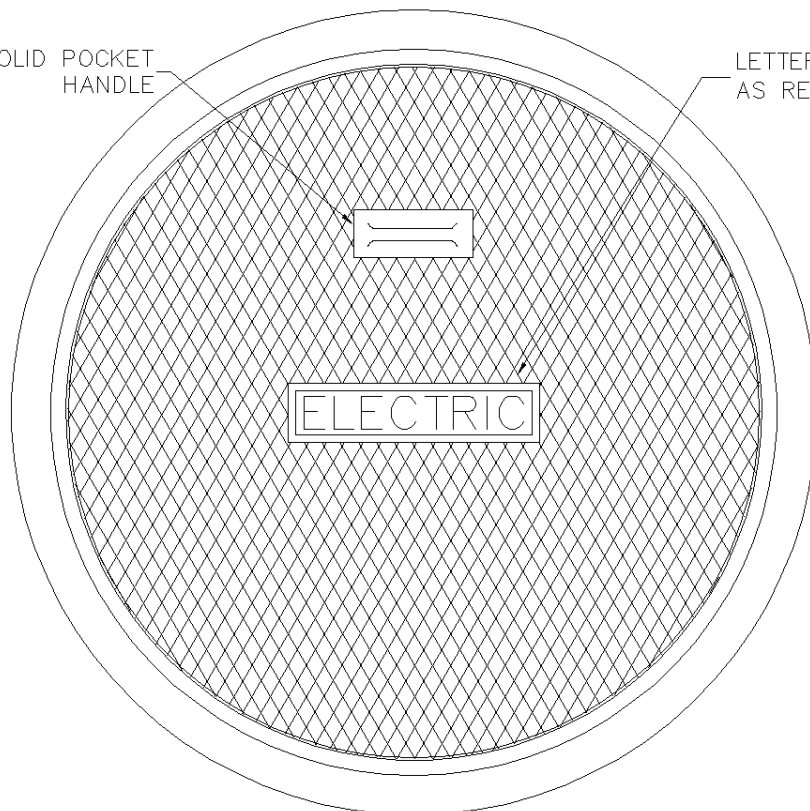


SOLID POCKET HANDLE

LETTERING AS REQ'D.



NOTES:

**OLYMPIC FOUNDRY INC.**

**42" X 4" REVERSIBLE RING & SOLID POCKET COVER**

MATL: Cast Iron ASTM A48 CL30. Cover; Ductile Iron ASTM A536 CL80-55-06

RATING: H-20

PART NO. MH83

APPROX WT: Ring 325 Lbs, Cover 550 Lbs

REV: A DATE: 7/2/2003 New border

REV  
A

DOCUMENT APPROVED  
BY: DATE:

DWN: CL DATE: 7/2/2003

CHKD: CL DATE: 7/2/2003

TOLERANCE  
XX +/- .1  
XXX +/- .06  
XXXX +/- .030  
<+ 2 DEG

REV: DATE:

DWG #: MH83 SOLID POCKET

SCALE: N/A

SHEET: 1 OF 1