

NOTES:
Machine surface on ring & cover, Typical 8" Cleanout

OLYMPIC FOUNDRY INC.

11" X 4" FLANGE DOWN RING & COVER

MATL: Cast Iron ASTM A48 CL30

RATING: H-20

PART NO. MH05

APPROX WT: 96 Lbs

REV: A DATE: 6/23/2003 New border

REV
A

DOCUMENT APPROVED
BY: DATE:

DWN: CL DATE: 6/23/2003

CHKD: FS DATE: 6/23/2003

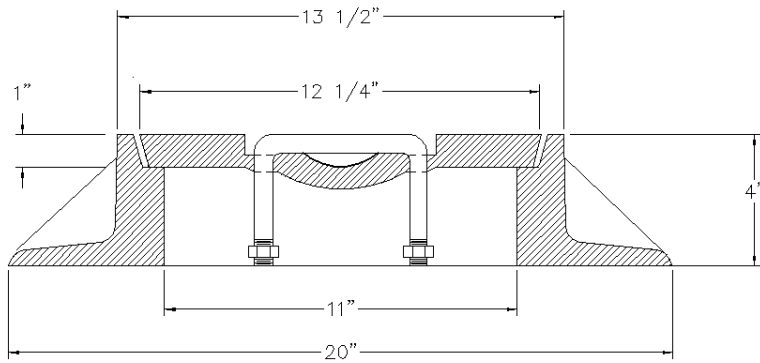
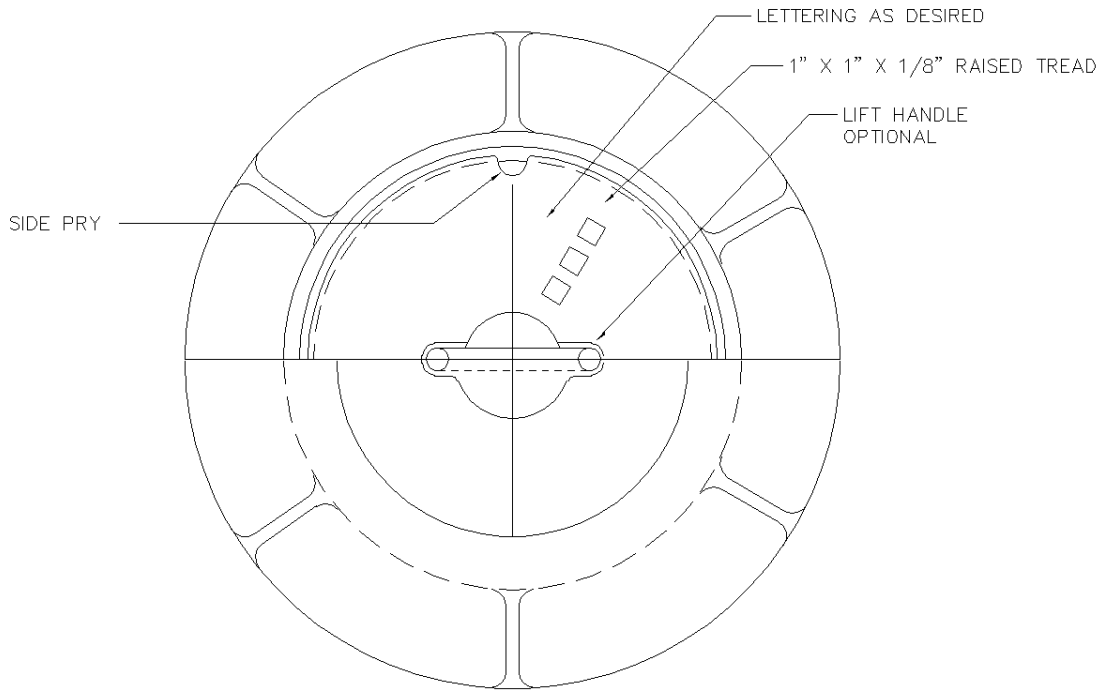
TOLERANCE
XX +. .1
XXX +. .06
XXXX +. .030
< + 2 DEG

REV: DATE:

DWG #: MH05

SCALE: N/A

SHEET: 1 OF 2



NOTES:
Machine surface on ring & cover, Typical 8" Cleanout

OLYMPIC FOUNDRY INC.

11" X 4" FLANGE DOWN RING & COVER

MATL: Cast Iron ASTM A48 CL30

RATING: H-20

PART NO. MH05

APPROX WT: 96 Lbs

REV: A DATE: 6/23/2003 New border

REV
A

DOCUMENT APPROVED
BY: DATE:

DWN: CL DATE: 6/23/2003

CHKD: FS DATE: 6/23/2003

TOLERANCE
XX +/- .1
XXX +/- .06
XXXX +/- .030
<+ 2 DEG

REV: DATE:

DWG #: MH05

SCALE: N/A

SHEET: 2 OF 2