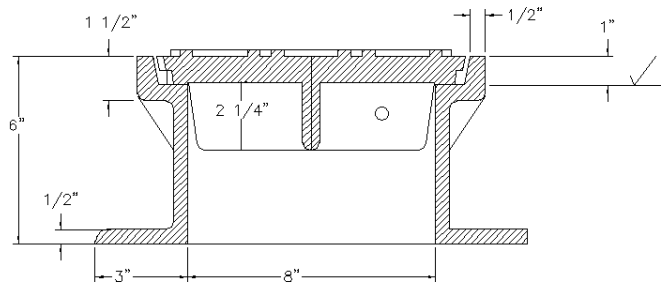
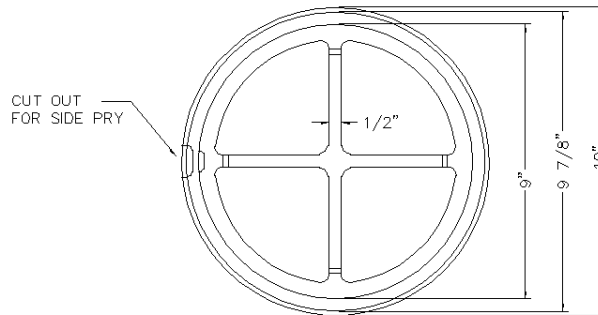


TOP VIEW - FRAME & COVER



SECTION - FRAME & COVER



BOTTOM VIEW OF COVER

NOTES:
APWA STD 19

OLYMPIC FOUNDRY INC.

8" X 6" MONUMENT RING & COVER

MATL: Cast Iron ASTM A48, CL30

RATING: H-20

PART NO. M1010

APPROX WT: Ring 46 Lbs, Cover 19 Lbs

REV: A DATE: 7/9/2003 New border

REV
A

DOCUMENT APPROVED
BY: DATE:

DWN: CL DATE: 7/9/2003

CHKD: CL DATE: 7/9/2003

TOLERANCE
XX +/- .1
XXX +/- .06
XXXX +/- .030
<+ 2 DEG

REV: DATE:

DWG #: M1010

SCALE: N/A

SHEET: 1 OF 1