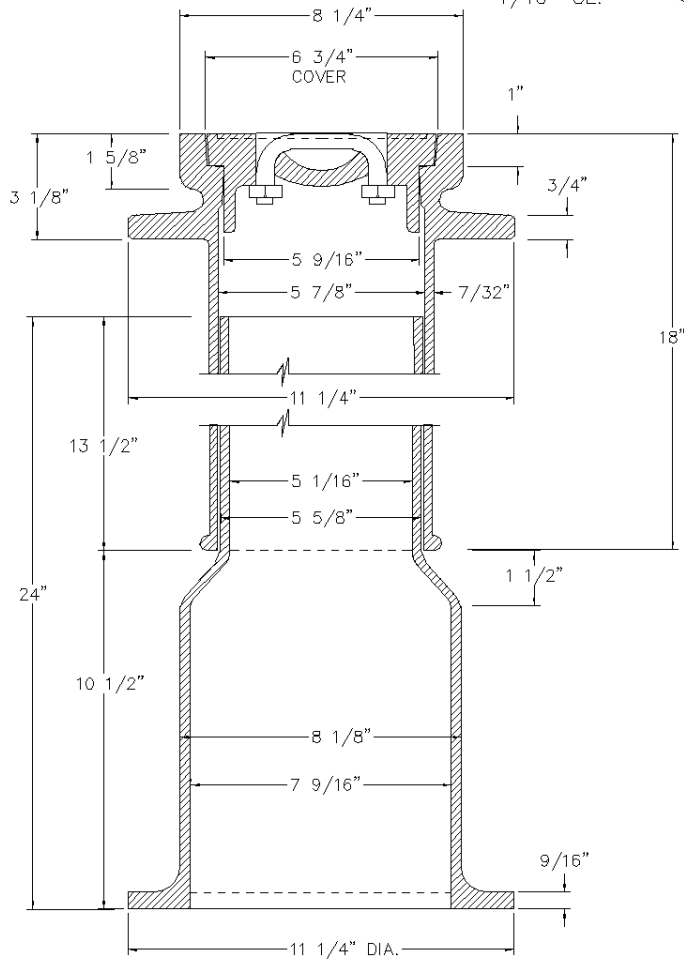
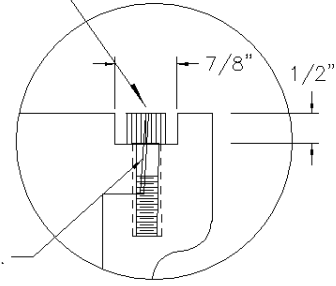


3/8" x 1 1/2" S STEEL
ALLEN HEAD BOLT
ON 6.81" BOLT CIRCLE



NOTES:

OLYMPIC FOUNDRY INC.

APWA LOCKING VALVE BOX

MATL: Cast Iron ASTM A48, CL30

RATING: H-20

PART NO. 045 D/T

APPROX WT: Lid 9.5 Lbs, 18" Top 43 Lbs, 24" Base 45 Lbs

REV: A DATE: 7/16/2003 New border

REV
A

DOCUMENT APPROVED
BY: DATE:

DWN: CL DATE: 7/16/2003

CHKD: CL DATE: 7/16/2003

TOLERANCE
XX +/- .1
XXX +/- .06
XXXX +/- .030
<+/- 2 DEG

REV: DATE:

DWG #: 045 DT

SCALE: N/A

SHEET: 1 OF 1