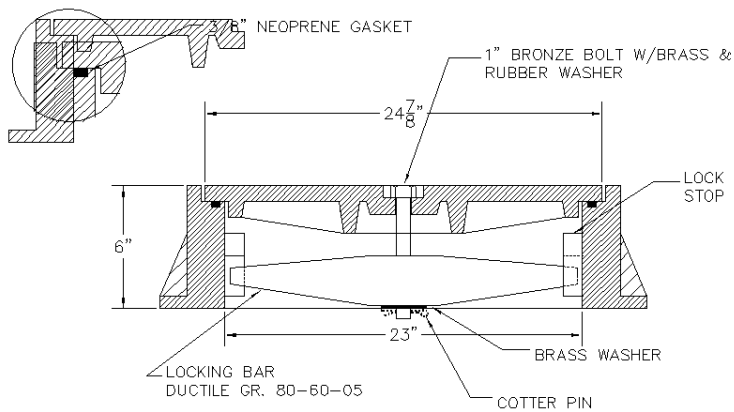


HANDLE



6"

1/2" NEOPRENE GASKET

1" BRONZE BOLT W/BRASS & RUBBER WASHER

24 ⁷/₈"

LOCK STOP

LOCKING BAR
DUCTILE GR. 80-60-05

BRASS WASHER

COTTER PIN

23"

NOTES:

OLYMPIC FOUNDRY INC.

23" X 6" WATERTIGHT RING & COVER

MATL: Cast Iron ASTM A48, CL30

RATING: H-20

PART NO. MH25W/T

APPROX WT: Ring 237, Cover 160 Lbs Strong Back 10 Lbs

REV: A DATE: 3/29/1999

REV
A

DOCUMENT APPROVED
BY: DATE:

DWN: DATE:

CHKD: DATE:

TOLERANCE
XX +/- .1
XXX +/- .06
XXXX +/- .030
<+ 2 DEG

REV: DATE:

DWG #: MH25W/T

SCALE: N/A

SHEET: 1 OF 1