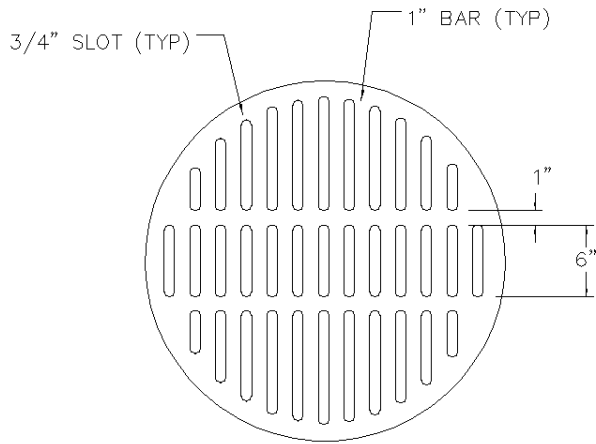
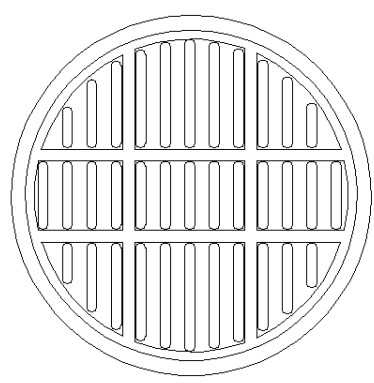
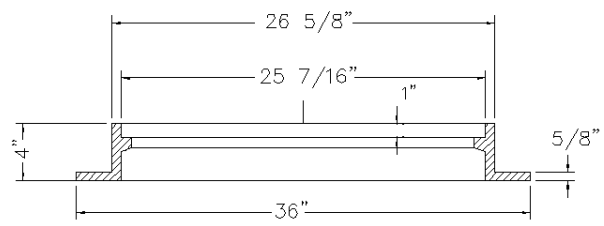
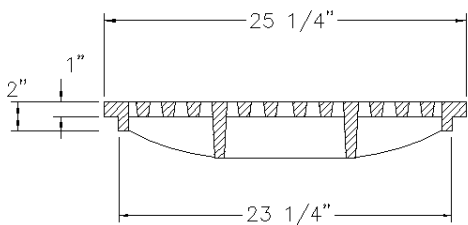


FRAME



COVER



NOTES:		OLYMPIC FOUNDRY INC.			
		24" X 4" MANHOLE RING & SLOTTED COVER			
MATL: Ductile Iron ASTM A536, CL80-55-06		RATING: H-20	PART NO. MH34SCDI		
APPROX WT: Ring 130 Lbs, Grate 115 Lbs.		REV: DATE:			REV
DOCUMENT APPROVED BY: DATE:	DWN: DATE:	TOLERANCE XX +/- .1 XXX +/- .06 XXXX +/- .030 <+ 2 DEG	REV: DATE:		DWG #: MH34SCDI
	CHKD: DATE:		SCALE: N/A	SHEET: 1 OF 1	