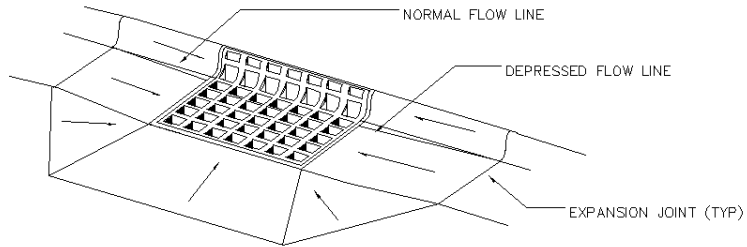
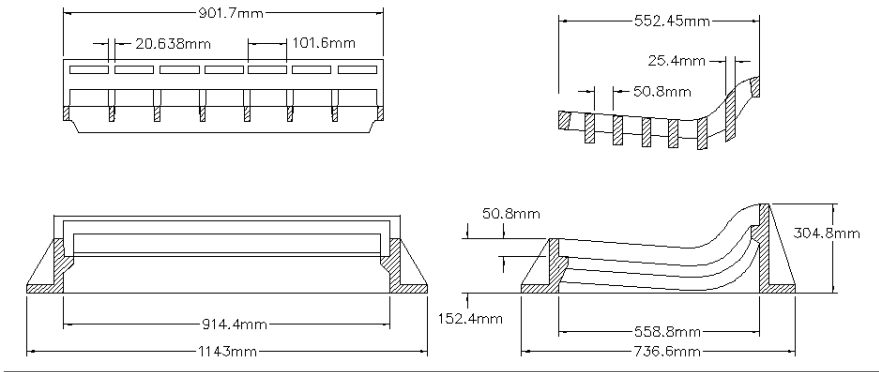
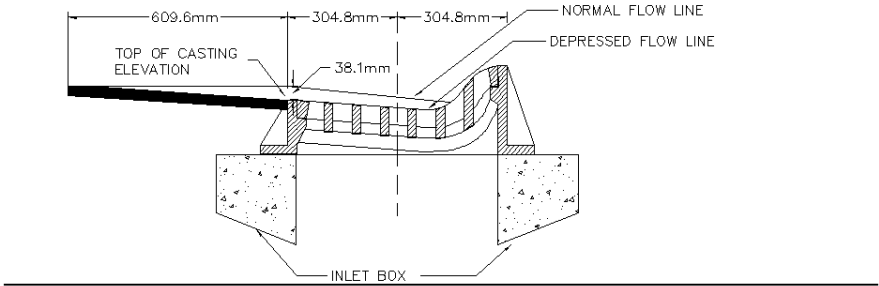


1" = 25.4 millimeters  
 1 pound = .453592 kilograms



NOTES:			<b>OLYMPIC FOUNDRY INC.</b>		
			MOUNTABLE CURB INLET FRAME & GRATE		
MATL:			RATING: H-20	PART NO. SM45	
APPROX WT: 550 Lbs			REV: DATE:		REV
DOCUMENT APPROVED BY: DATE:	DWN: DATE:	TOLERANCE XX +/- .1 XXX +/- .06 XXXX +/- .030 <+ 2 DEG	REV: DATE:		SCALE: N/A
	CHKD: DATE:		DWG #:	SHEET: 1 OF 1	