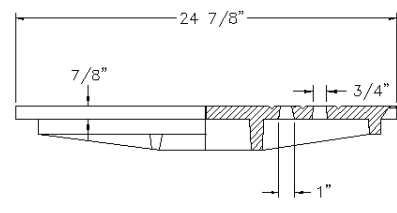
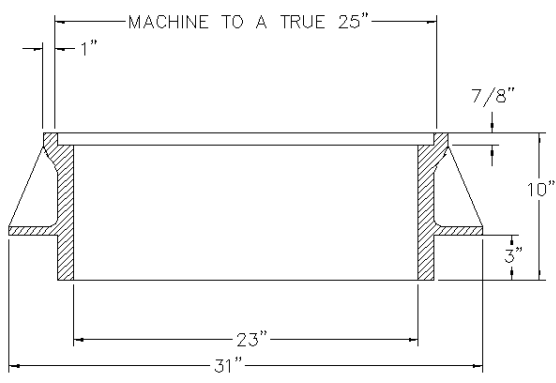
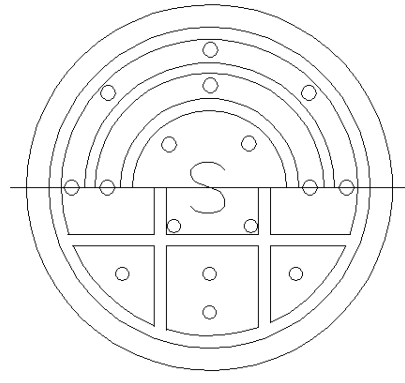
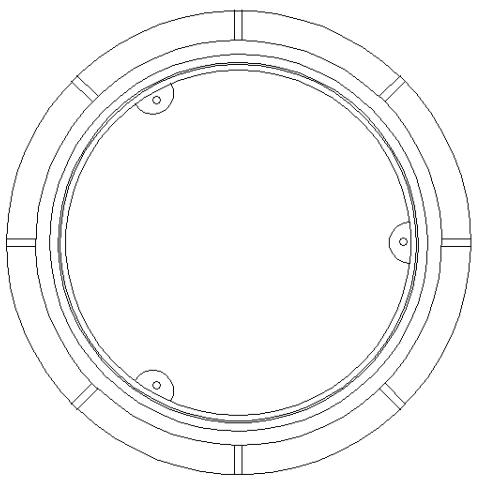


BOLT DOWN DETAIL



NOTES:		OLYMPIC FOUNDRY INC.			
		23" X 10" LOCKING MANHOLE RING & 16-HOLE "S" COVER			
MATL: Cast Iron ASTM A48, CL30		RATING: H-20	PART NO. MH26A D/T		
APPROX WT: Ring 237 Lbs, Cover 150 Lbs		REV: A DATE: 9/10/2003 New border			REV A
DOCUMENT APPROVED BY: DATE:	DWN: CL DATE: 9/10/2003	TOLERANCE XX +.1 XXX +.06 XXXX +.030 <+ 2 DEG		REV: DATE:	
	CHKD: CL DATE: 9/10/2003	DWG #: MH26A DT 16HL S		SCALE: N/A	SHEET: 1 OF 1