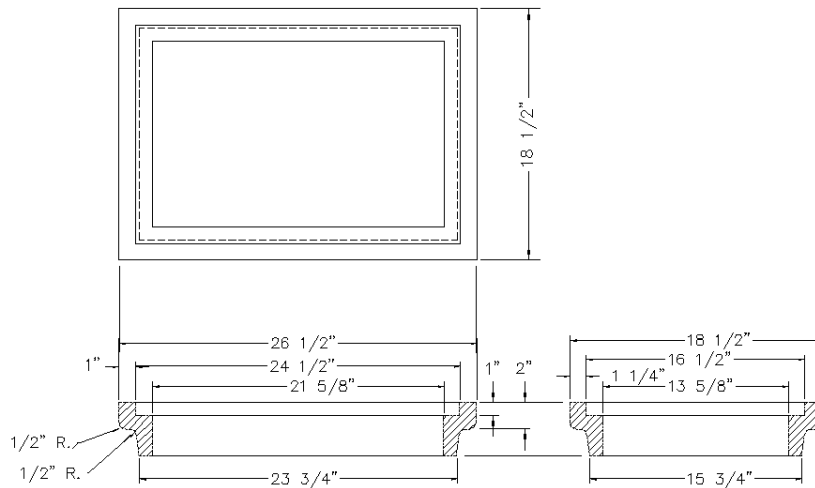


HEAVY DUTY GRATE



FRAME

NOTES:

OLYMPIC FOUNDRY INC.

14" X 22" X 4" FLANGE UP FRAME & GRATE

MATL: Cast Iron ASTM A48, CL30

RATING: H-20

PART NO. SM41

APPROX WT: Frame 100 Lbs, Grate 80 Lbs

REV: A DATE: 9/24/2003 New border

REV
A

DOCUMENT APPROVED
BY: DATE:

DWN: CL DATE: 9/24/2003

CHKD: CL DATE: 9/24/2003

TOLERANCE
XX +/- .1
XXX +/- .06
XXXX +/- .030
<+ 2 DEG

REV: A DATE: 2/27/2004 Fixed dimension

DWG #: SM41

SCALE: N/A

SHEET: 1 OF 1