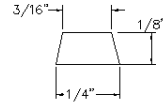
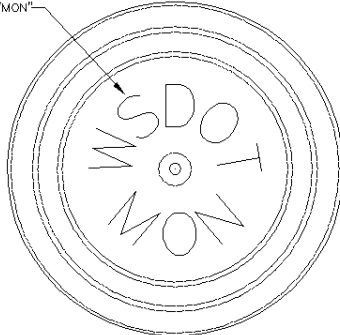
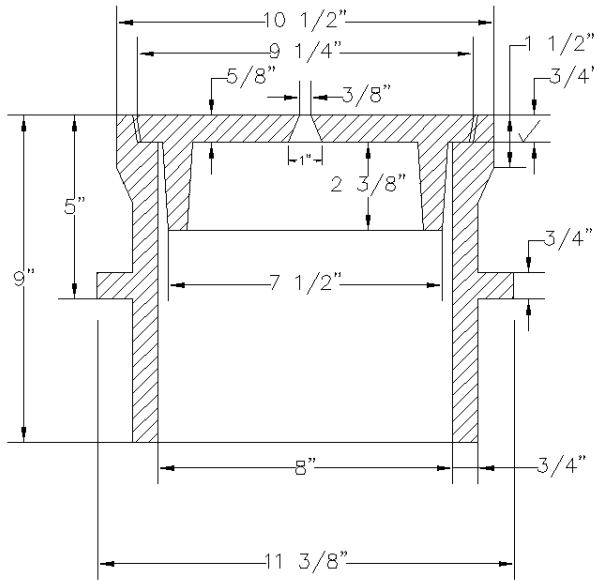


LETTERING AS REQ:
"KCPW"
"MON"



SECTION OF LETTERS



NOTES:
*WSDOT STD #H7
*King County STD #5-014
*Additional cover labeling available

OLYMPIC FOUNDRY INC.

8" X 9" MONUMENT BODY & COVER

MATL: Cast Iron ASTM A48, CL30

RATING: H-20

PART NO. M1015

APPROX WT: Body 60 Lbs, Cover 20 Lbs

REV: A DATE: 7/15/2003 New border

REV
A

DOCUMENT APPROVED
BY: DATE:

DWN: CL DATE: 7/16/2003

CHKD: CL DATE: 7/16/2003

TOLERANCE
XX +/- .1
XXX +/- .06
XXXX +/- .030
< +/- 2 DEG

REV: DATE:

DWG #: M1015 WSDOT

SCALE: N/A

SHEET: 1 OF 1