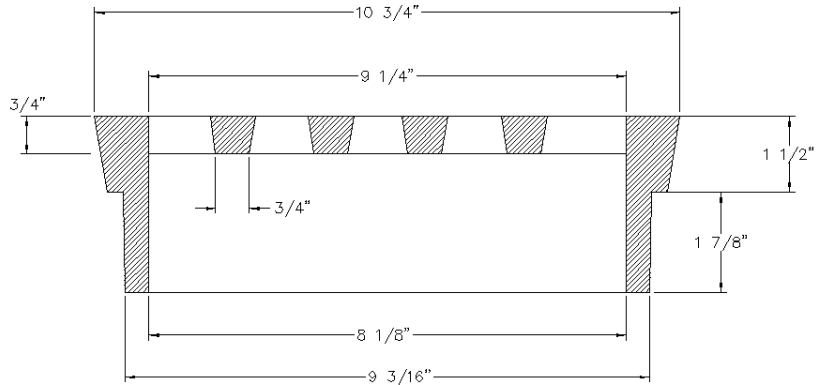


TOP VIEW



SIDE VIEW

NOTES:

OLYMPIC FOUNDRY INC.

8" BELLGRATE

MATL: Cast Iron ASTM A48, CL30

RATING: H-20

PART NO. 8" T & G

APPROX WT: 29 Lbs

REV: A DATE: 7/21/2003 New border

REV
A

DOCUMENT APPROVED
BY: DATE:

DWN: CL DATE: 7/21/2003

CHKD: CL DATE: 7/21/2003

TOLERANCE
XX +/- .1
XXX +/- .06
XXXX +/- .030
<+ 2 DEG

REV: DATE:

DWG #: 8" T & G

SCALE: N/A

SHEET: 1 OF 1