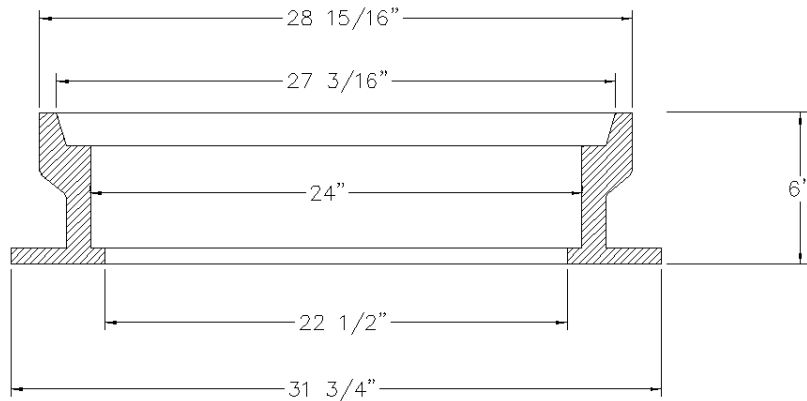
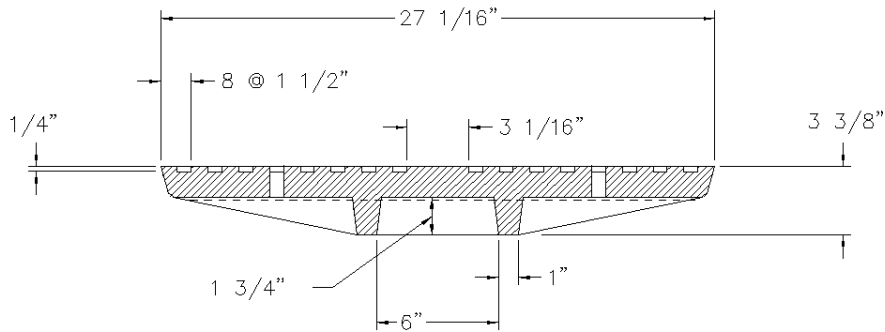


1" DIAM. HOLE



NOTES:
Hawaii Type SC ring & cover

OLYMPIC FOUNDRY INC.

22 1/2" X 6" MANHOLE RING & COVER

MATL: Cast Iron ASTM A48, CL30

RATING: H-20

PART NO. MH27

APPROX WT: Ring 222 Lbs, Cover 274 Lbs

REV: A DATE: 7/16/2003 New border

REV
A

DOCUMENT APPROVED
BY: DATE:

DWN: CL DATE: 7/16/2003

CHKD: CL DATE: 7/16/2003

TOLERANCE
XX +/- .1
XXX +/- .06
XXXX +/- .030
<+ 2 DEG

REV: DATE:

DWG #: MH27

SCALE: N/A

SHEET: 1 OF 1