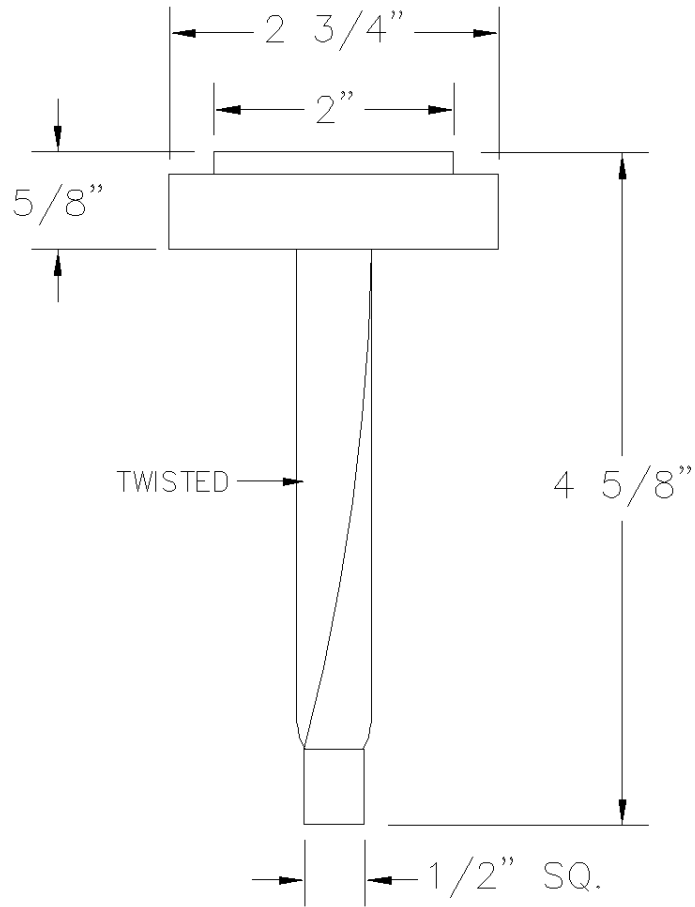
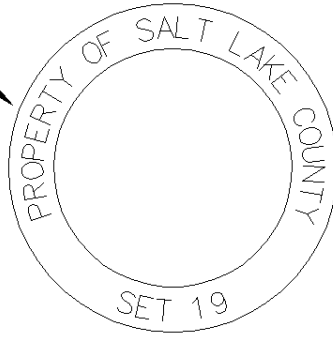


LETTERING
AS REQUIRED



NOTES:

OLYMPIC FOUNDRY INC.

REF# K-9090

MATL: Brass

RATING:

PART NO. MU-7030

APPROX WT: 2 Lbs

REV: A DATE: 2/23/1999

REV
A

DOCUMENT APPROVED
BY: DATE:

DWN: DATE:

CHKD: DATE:

TOLERANCE
XX +.1
XXX +.06
XXXX +-.030
<+ 2 DEG

REV: DATE:

DWG #: MU-7030

SCALE: N/A

SHEET: 1 OF 1