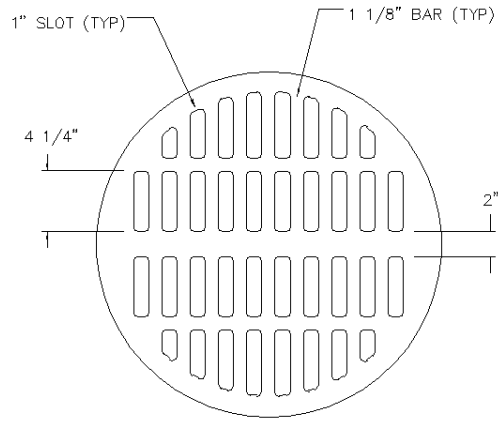
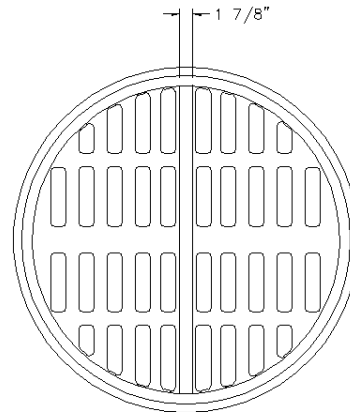
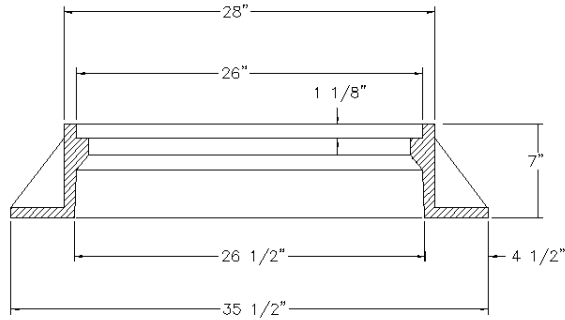
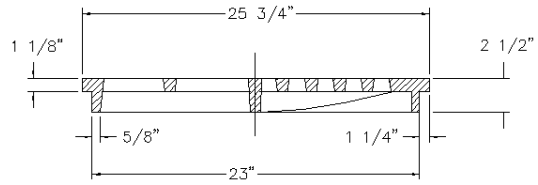


FRAME



COVER



NOTES:

**OLYMPIC FOUNDRY INC.**

**24" X 7" MANHOLE RING & SLOTTED COVER**

MATL: Cast Iron ASTM A48, CL30

RATING: H-20

PART NO. MH37SC

APPROX WT: Ring 225 Lbs, Cover 148 Lbs

REV: A DATE: 7/18/2003 New border

REV  
A

DOCUMENT APPROVED  
BY: DATE:

DWN: CL DATE: 7/18/2003

CHKD: CL DATE: 7/18/2003

TOLERANCE  
XX +- .1  
XXX +- .06  
XXXX +- .030  
<+- 2 DEG

REV: DATE:

DWG #: MH37SC

SCALE: N/A

SHEET: 1 OF 1