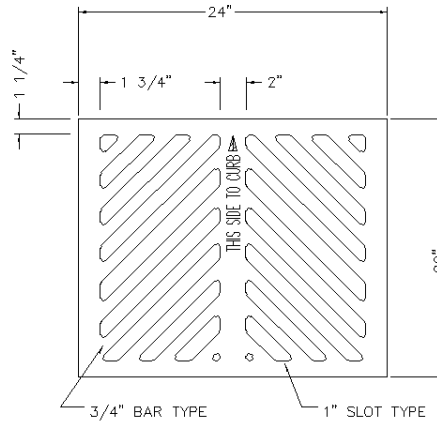
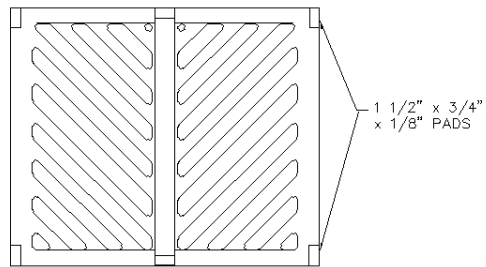
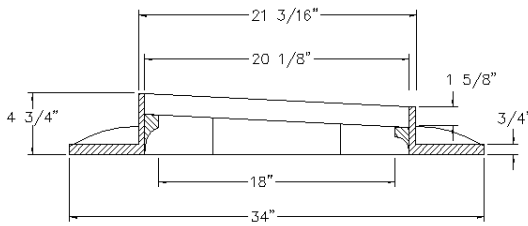
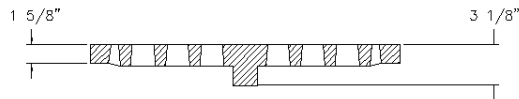


FRAME



GRATE



NOTES:
 Vaned grate also available, use SM60VG

OLYMPIC FOUNDRY INC.

CATCH BASIN FRAME & GRATE

MATL: Cast Iron ASTM A48 CL30, Grate Ductile Iron ASTM A536 CL80-55-06

RATING: H-20

PART NO. SM61

APPROX WT: Frame 165 Lbs, Grate: 110 Lbs

REV: A DATE: 7/18/2003 New border

REV
 A

DOCUMENT APPROVED
 BY: DATE:

DWN: CL DATE: 7/18/2003

CHKD: CL DATE: 7/18/2003

TOLERANCE
 XX +/- .1
 XXX +/- .06
 XXXX +/- .030
 <+ 2 DEG

REV: DATE:

DWG #: SM61

SCALE: N/A

SHEET: 1 OF 1