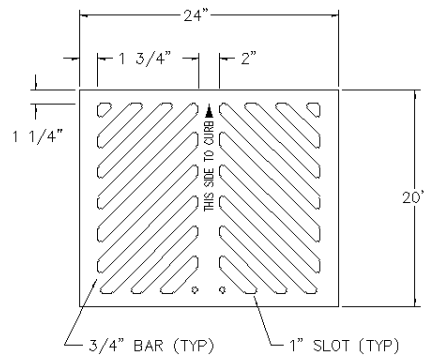
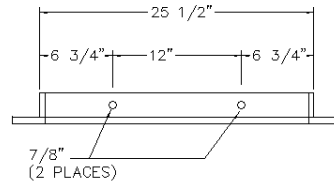
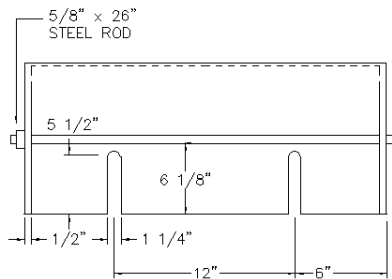


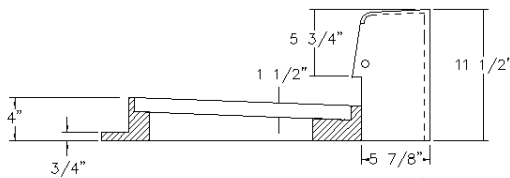
FRAME (TOP VIEW)



GRATE (SIDE VIEW)



HOOD



GRATE (SIDE VIEW)

HOOD (SIDE VIEW)

NOTES:

- *Accepts GG-01 grate guard
- *Vaned grate also available, use SM60VG

OLYMPIC FOUNDRY INC.

CATCH BASIN FRAME, GRATE & HOOD

MATL: Frame & Hood; Cast Iron ASTM A48 CL30, Grate; Ductile Iron ASTM CL80-55-06

RATING: H-20

PART NO. SM65

APPROX WT: Frame 180 Lbs, Grate 110 Lbs, Hood 55 Lbs

REV: A DATE: 7/18/2003 new border

REV
A

DOCUMENT APPROVED
BY: DATE:

DWN: CL DATE: 7/18/2003

CHKD: CL DATE: 7/18/2003

TOLERANCE
XX +-.1
XXX +-.06
XXXX +-.030
<+-2 DEG

REV: DATE:

DWG #: SM65

SCALE: N/A

SHEET: 1 OF 1