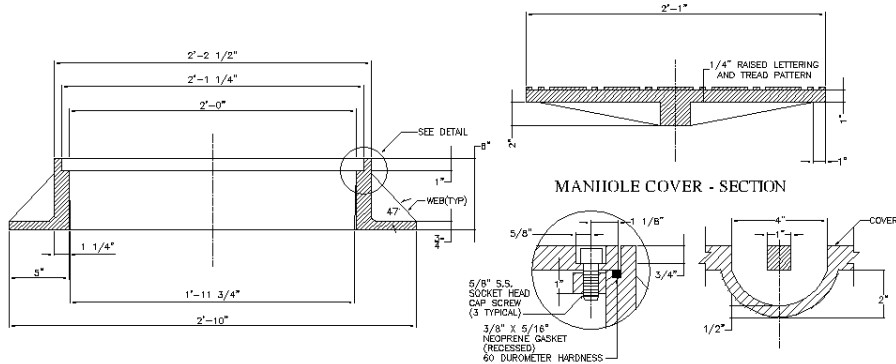


MANHOLE RING - PLAN

MANHOLE COVER - PLAN



MANHOLE RING - SECTION

MANHOLE COVER - SECTION

LOCKING BOLT - DETAIL

MANHOLE - SECTION A

NOTES:

OLYMPIC FOUNDRY INC.

PIERCE COUNTY PRIVATE SEWER MANHOLE RING & LOCKING COVER

MATL: Cast Iron ASTM A48, CL30

RATING: H-20

PART NO. MH30PCP D/T

APPROX WT: Ring 210 Lbs, Cover 150 Lbs

REV: A DATE: 7/2/2003 New border

REV
A

DOCUMENT APPROVED
BY: DATE:

DWN: CL DATE: 7/2/2003

CHKD: CL DATE: 7/2/2003

TOLERANCE
XX +.1
XXX +.06
XXXX +.030
< + 2 DEG

REV: DATE:

DWG #: MH30A PC PRIVATE DT

SCALE: N/A

SHEET: 1 OF 1