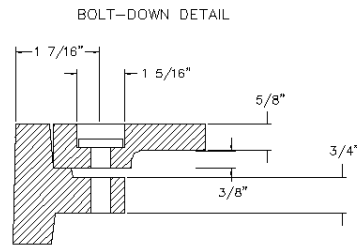
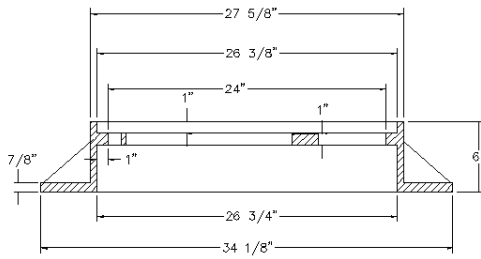
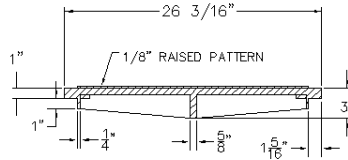
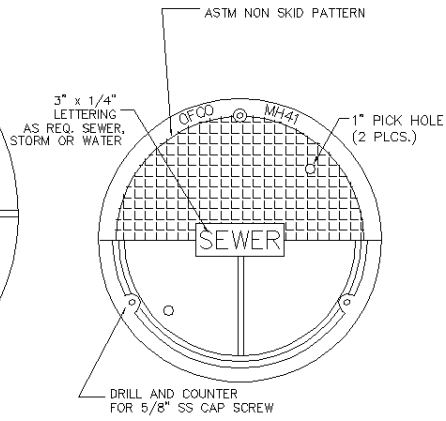


DRILL AND TAP  
5/8" - 11 - NC SS CAP SCREW  
120 DEGREES (3 PL)  
FRAME



NOTES:  
WSDOT STD. Plan B28

# OLYMPIC FOUNDRY INC.

## 24" X 6" WSDOT LOCKING MANHOLE RING & COVER

MATL: Frame: Cast Iron ASTM A48 CL30, Cover: Ductile Iron ASTM A536 CI80-55-06

RATING: H-20

PART NO. MH41 D/T

APPROX WT: Ring 168 Lbs, Cover 118 Lbs

REV: A DATE: 7/2/2003 New border

REV  
A

DOCUMENT APPROVED  
BY: DATE:

DWN: CL DATE: 7/2/2003

CHKD: CL DATE: 7/2/2003

TOLERANCE  
XX +/- .1  
XXX +/- .06  
XXXX +/- .030  
<+ 2 DEG

REV: DATE:

DWG #: MH41 DT

SCALE: N/A

SHEET: 1 OF 1