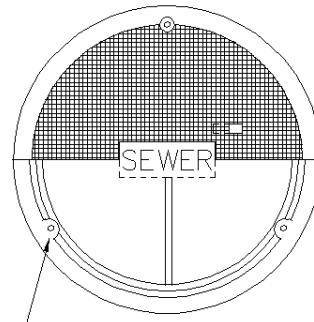
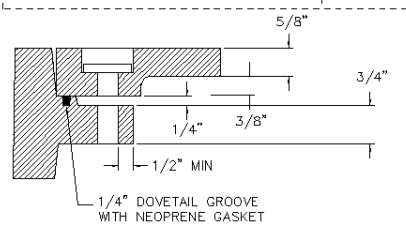
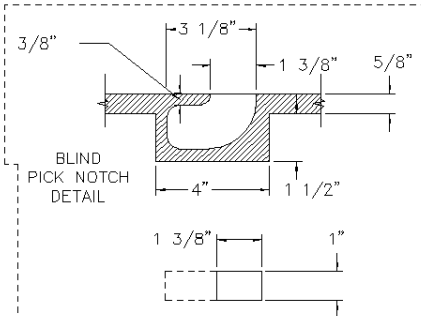
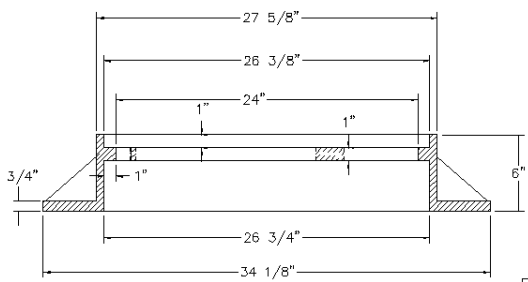
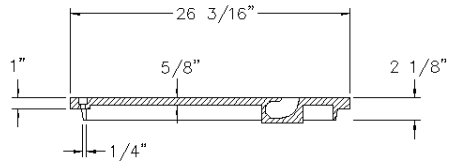


FRAME



DRILL & TAP FOR 5/8" - 11 NC  
S.S. CAP SCREW 120° (3 PL)



BOLT DOWN  
WATERTIGHT DETAIL

NOTES:

# OLYMPIC FOUNDRY INC.

## 24" X 6" FLANGE DOWN WATERTIGHT RING & COVER

MATL: Ring; Cast Iron ASTM A48 CL30, Cover; Ductile Iron ASTM A536 CL 80-55-06

RATING: H-20

PART NO. MH41 W/T

APPROX WT: Ring 168 Lbs, Cover 118 Lbs

REV: A DATE: 6/20/2003 New border

REV  
A

DOCUMENT APPROVED  
BY: DATE:

DWN: CL DATE: 6/20/2003

CHKD: CL DATE: 6/20/2003

TOLERANCE  
XX +/- .1  
XXX +/- .06  
XXXX +/- .030  
<+ 2 DEG

REV: DATE:

DWG #: MH41WT

SCALE: N/A

SHEET: 1 OF 1